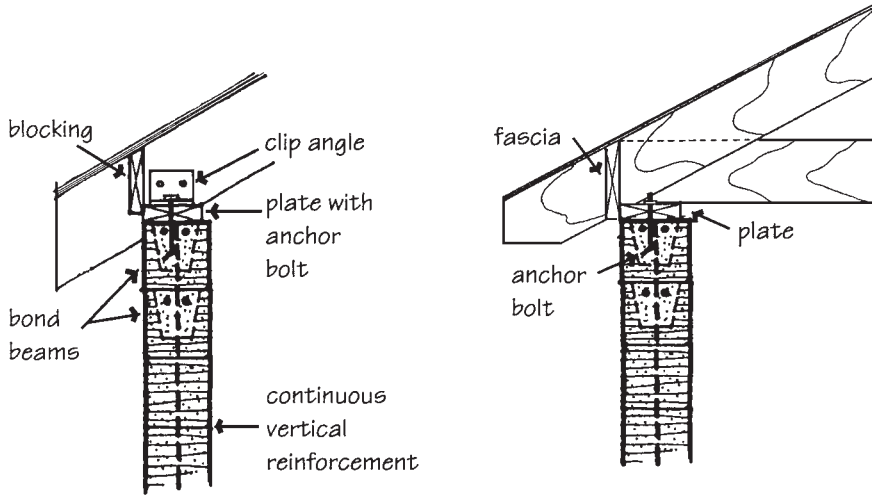
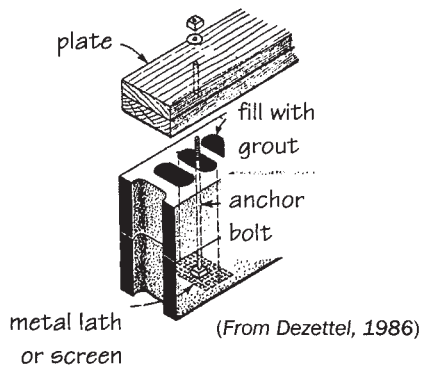
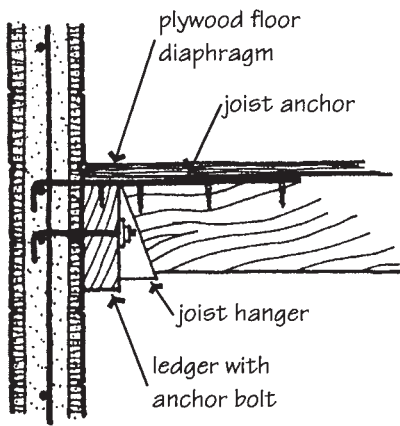


**Figure 12-19** Connecting double-wythe masonry walls to wood frame floors and roofs.

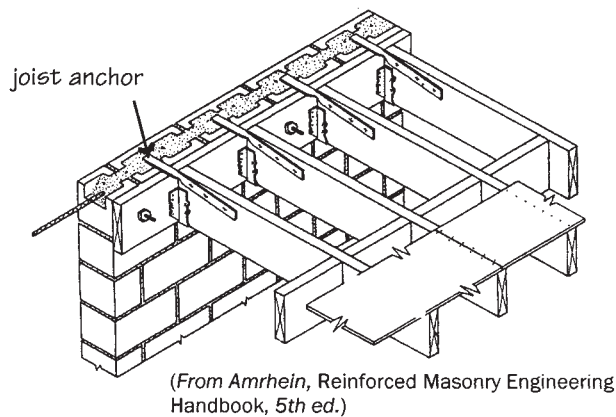
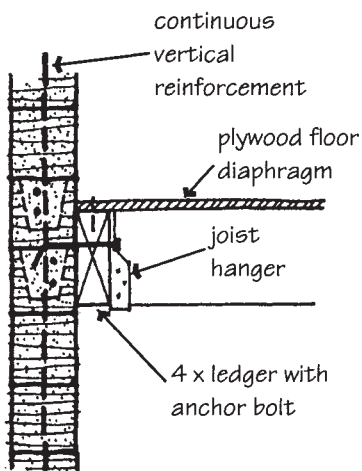
of action, and direction of all forces acting on the various members. All dead loads, live loads, lateral loads, and other forces, such as those resulting from temperature changes, impact, and unequal settlement, are considered. The combinations of loads that produce the greatest stresses are used to size the members. The performance of loadbearing masonry walls, pilasters, and columns can be predicted with reasonable accuracy using allowable stress methods, but the design will be conservative and less economical than if the strength method is used. The complexity of the analysis will depend on the



EXAMPLES OF CMU WALL CONNECTIONS TO WOOD ROOF FRAMING



ANCHOR BOLT DETAIL



EXAMPLES OF CMU WALL CONNECTIONS TO WOOD FLOOR FRAMING

Figure 12-20 Connecting single-wythe masonry walls to wood floor and roof framing.